

Gummers Solo Basin Mixer with Short Lever (no waste)

Product Code	Finish/Model Type
SOLO-T3SL	Chrome
SOLO-T3SLCOP	Chrome

Weblink
<http://www.specifybristan.com/SOLOT3SL>

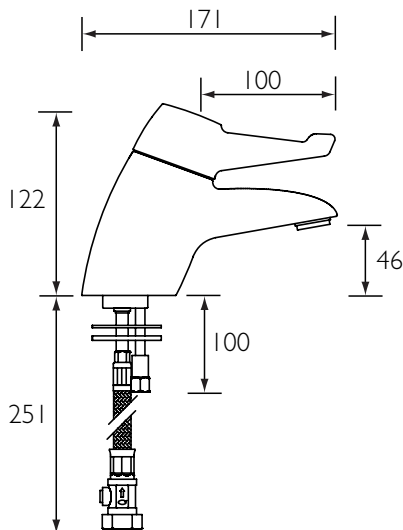
- Easy-to-use single sequential control for temperature and flow
- Complies with HTM64 Type TP6
- Automatic thermostatic shutoff in the event of hot or cold water supply failure
- Above-basin access to serviceable parts, limiting down time



SOLO-T3SL



SOLO-T3SLCOP



Recommended items: visit www.specifybristan.com

Basin wastes and traps

All measurements in mm (unless stated otherwise)
 Inlet connection 15mm

Performance with open outlet								
Pressure Drop	0.1	0.2	0.5	1	2	3	4	5
Flow Rate (without regulator)	3.5	5.4	8.5	12	17.5	22	25	27.5
Flow Rate (with regulator)	-	-	-	7	8.9	9.5	9.5	9.5

Product Code

SOLO-T3SL
SOLO-T3SLCOP

TMV3 Designations of use

- HP-W High pressure washbasin
- LP-W Low pressure washbasin

Pressures

- Minimum pressure drop: 0.1 bar
- Maximum dynamic pressure: 5 bar
- Maximum static pressure: 10 bar

Temperatures

- Factory preset temperature: 43°C
- Maximum hot water supply temperature: 80°C



Call our specifier helpline on **0844 701 6273**

or visit www.specifybristan.com

Bristan, Birch Coppice Business Park,
Dordon, Tamworth, Staffordshire B78 1SG